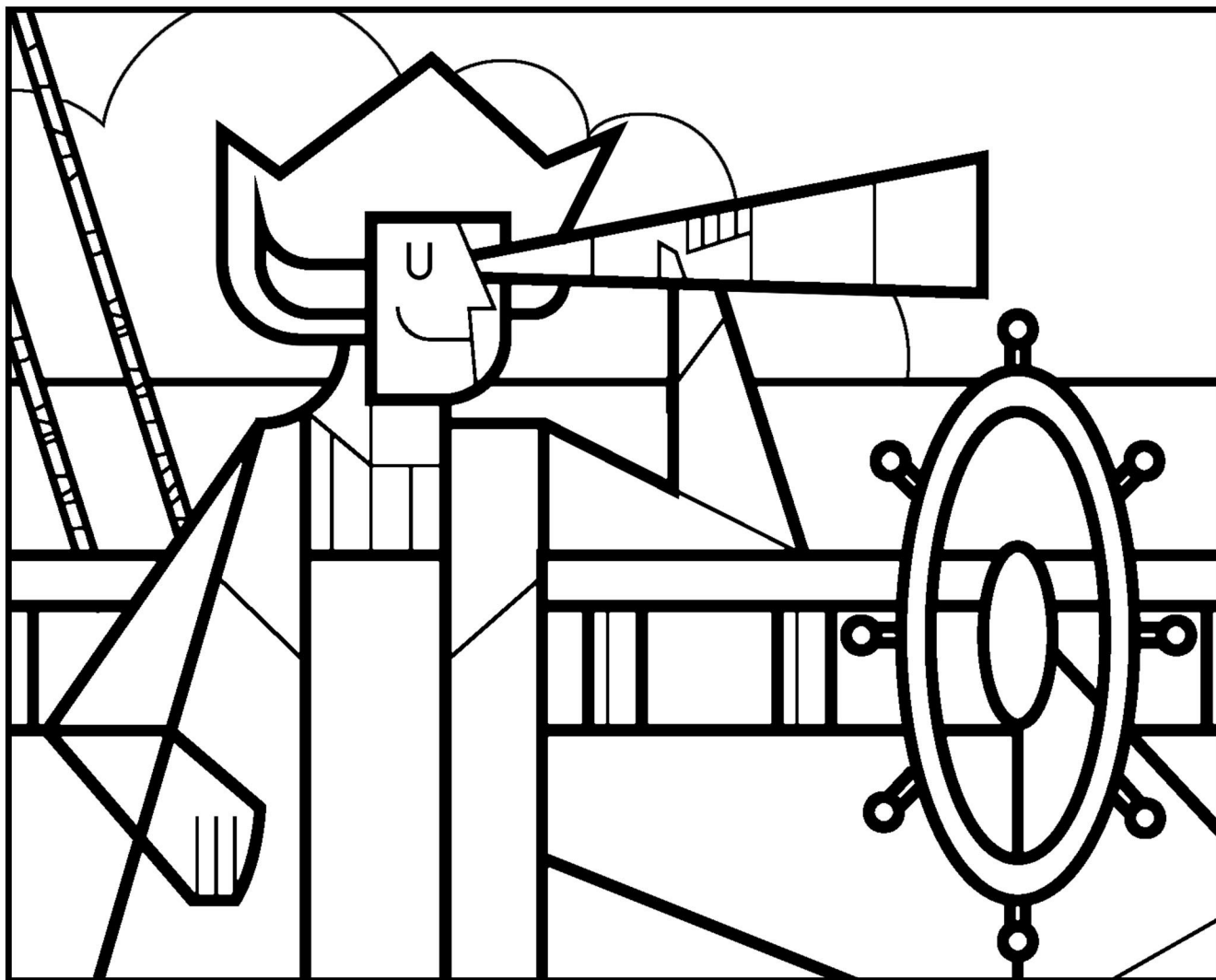


Name: Date:



COLORING TOGETHER
coloringtogether.com